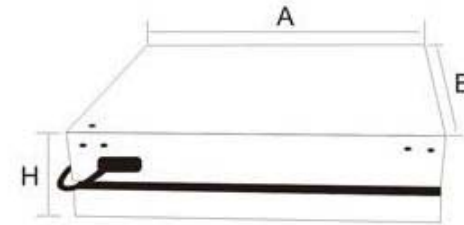
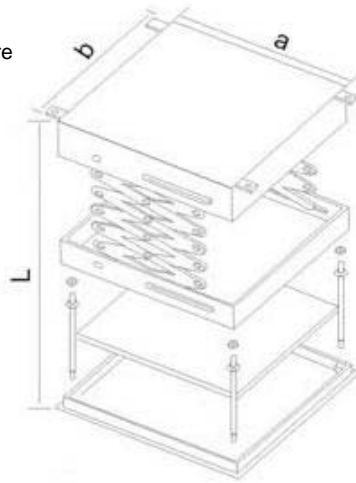


motionlift	Dimension	Load	Travel	Net	Packing
Model	AxBxH(mm)	Capacity(kg)	L (mm)	Weight(kg)	Dimensions (mm)
T80A	450x450x145	12	800	15	570x530x245
T80B	508x508x165	12	800	17.5	635x585x290
T100A	450x450x145	12	1000	15	570x530x245
T100B	508x508x165	12	1000	17.5	635x585x290
T120A	450x450x145	15	1200	15	570x530x245
T120B	508x508x165	15	1200	17.5	635x585x290
T150A	450x450x145	15	1500	16	570x530x245
T150B	508x508x210	15	1500	18	635x585x290
S180A	508x508x230	35	1800	19	635x585x290
S180B	700x508x230	50	1800	25	775x635x375
S240	700x508x260	50	2400	26	775x635x375
S300	700x508x300	50	3000	29.5	775x635x375
S360	700x508x320	50	3600	30	775x635x375



IR Remote Control Receiver



© Copyright all rights reserved.  
 This drawing is the property of Ergomotion Pty Ltd. It may not be copied in whole or part nor can it be used for the manufacture of any equipment described without written permission of Ergomotion. Ergomotion reserves the right to change, without notice, the specifications and materials contained in this drawing and shall not be responsible for any damages (including consequential) caused by reliance on the information presented.

23/11/09	01	Wire guides changed to straps. Universal mounting bracket set into top plate to reduce installation height.	GT
Date	Revision	Description	Drawn By
Unless otherwise specified dimensions are in millimeters		Finish: White Powdercoat	Material: Mild Steel
		Sheet 1 of 1	
Customer:		ergomotion PO Box 234, East Bentleigh, VIC, 3165 +61 3 95791454	
Designed by Guy Topolansky		TITLE: motionlift models and specification	
		Drawing number: Ergo	