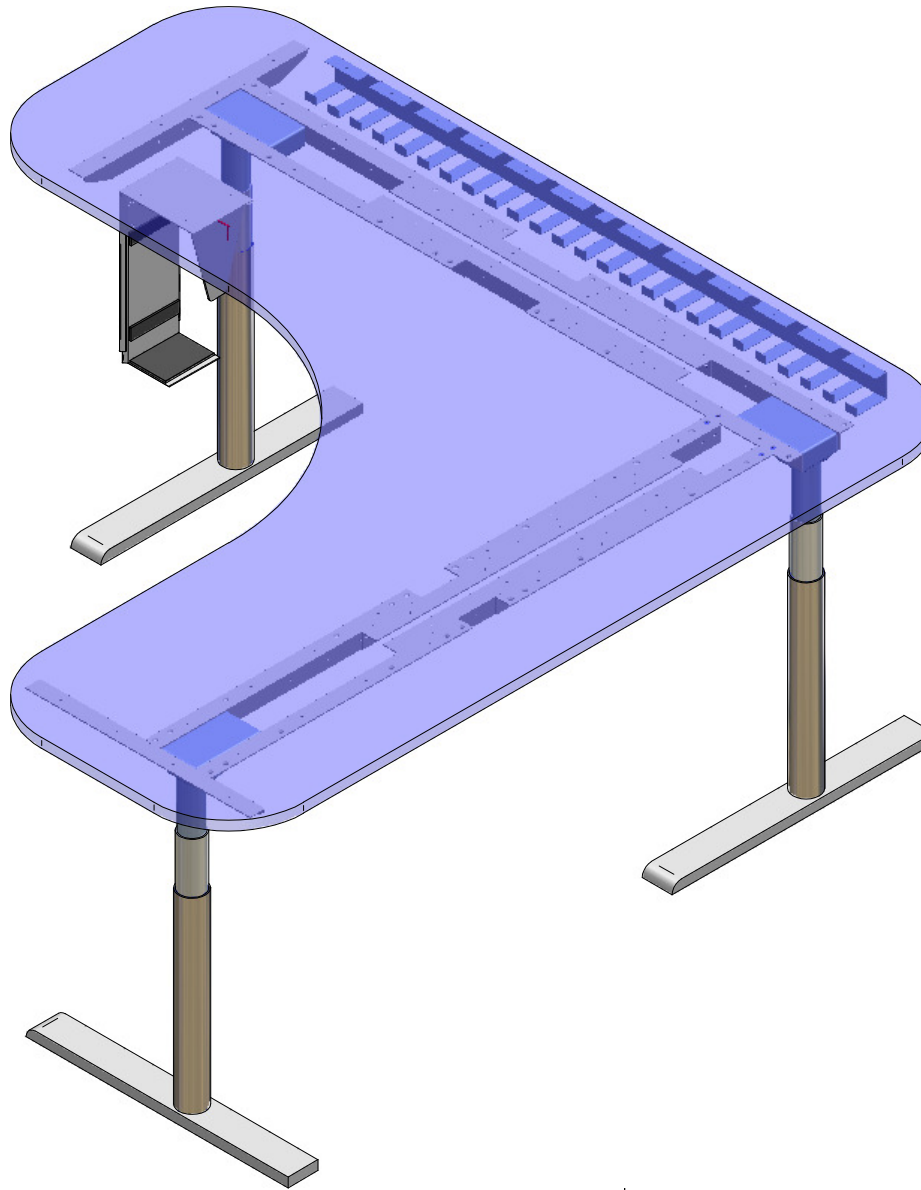


WARNING: Moving parts, beware of entrapment areas



motiondesk3-DL11

650mm electric adjustment
610mm to 1260mm (from floor level)
200kg total lift capacity
15 seconds from sit to stand
Optional multiple Memory positions
Optional cable tray
Optional CPU Holder
Optional Anti-Collision
Available to suit all desk sizes
10 year warranty on frame and electrics

© Copyright all rights reserved.
This drawing is the property of Ergomotion Pty Ltd. It may not be copied in whole or part nor can it be used for the manufacture of any equipment described without written permission of Ergomotion.

Customer:

Date:

ergomotion

PO Box 234, East Bentleigh, VIC, 3165
+61 3 95791454

TITLE: motiondesk3-DL11

Designed by Guy Topolansky