

EVO[®] LCD Arm

Model 5700-DC



Meet EVO[®], the sleekest, easiest to use, full-function monitor arm on the market! EVO[®] floats monitors above the desk, where they can be effortlessly repositioned. The arm includes a configurable mount which enables desk edge, grommet and thru-desk mounting. Powered by Better Balance[®] technology, EVO[®] supports the monitor with true constant force, ensuring smooth movement.

FEATURES

- ▲ Stylish design complements any office environment.
- ▲ Intuitive function and ease-of-use encourage users to work ergonomically.
- ▲ Attractive price point enabled by new core Better Balance[®] technology.
- ▲ Comprised of 99% recyclable and 37% recycled content. Qualifies for Leeds credits 4.1 and 4.2.
- ▲ 10 year warranty.



Effortless height adjustment



Arm folds flat to save maximum space when not in use



Award-winning design

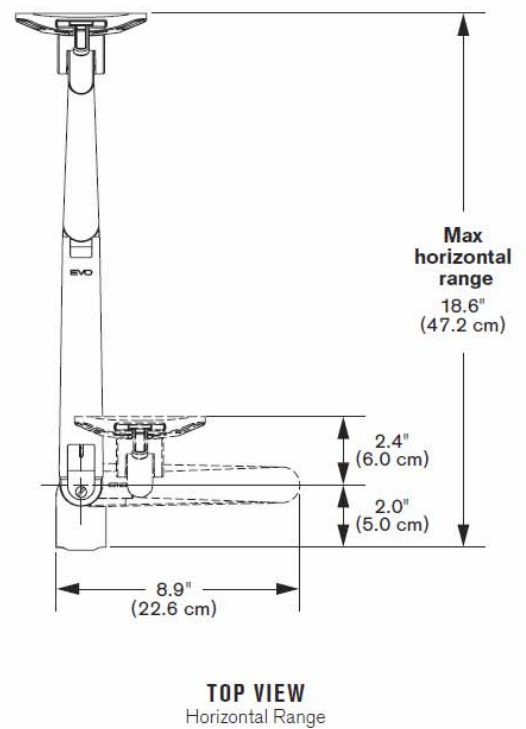
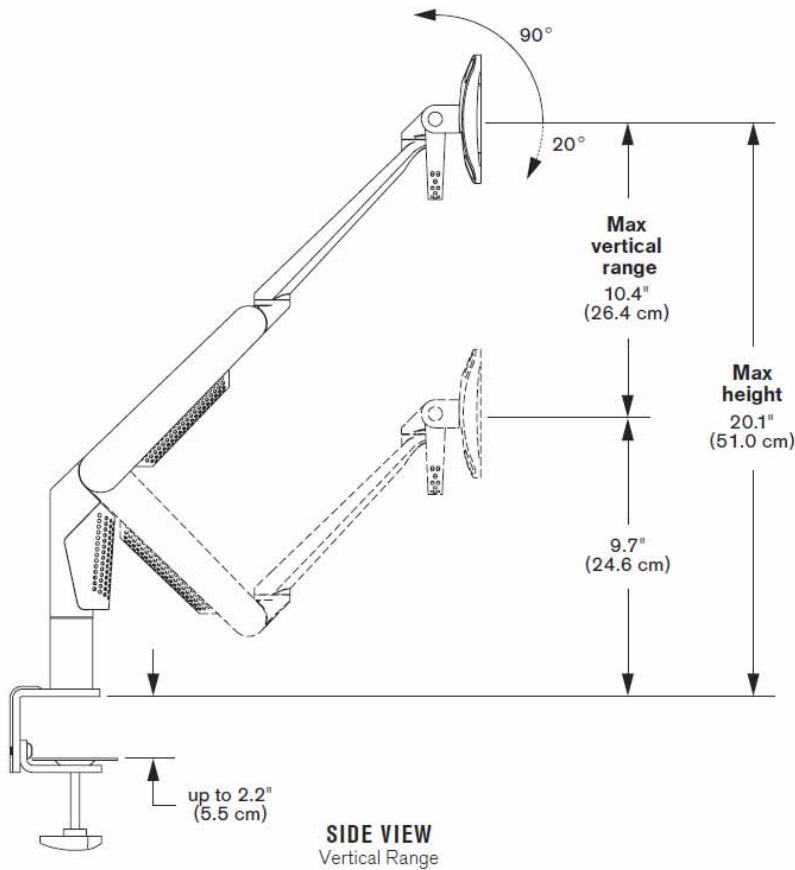


Integrated cable management



EVO[®] LCD Arm

Specifications



CAPABILITIES

Vertical range	+/- 5.2" (13.2 cm) from horizontal
Horizontal range	18.6" (47.2 cm)
Rotation	360° at two joints, 180° at base
Monitor tilt	90° up, 20° down from center
Monitor pivot	Landscape to portrait
Monitor compatibility	VESA [®] 75mm and 100mm
Cable management	Cables are clipped beneath arm
Mounting options	Desk Edge, Grommet, Thru-Desk
Monitor weight (at standard monitor depths)	7 - 20 lbs (3.2 - 9.0 kg)



ergomotion
www.ergomotion.com.au

