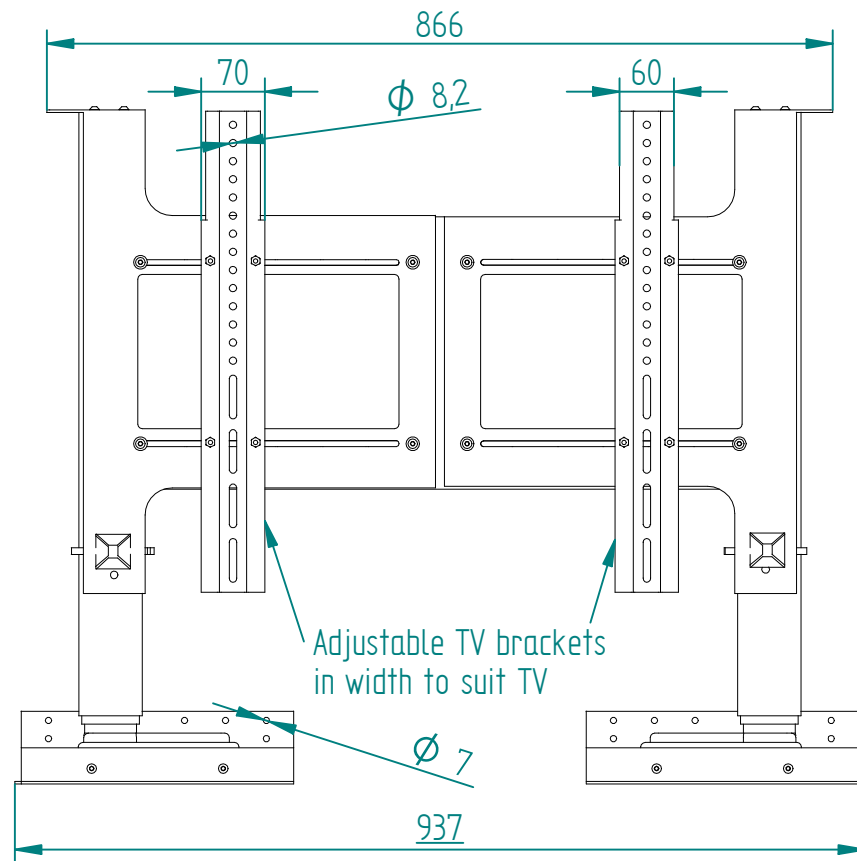
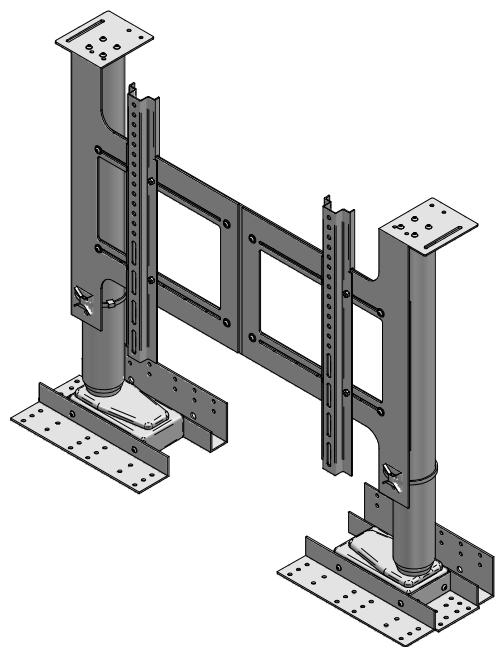
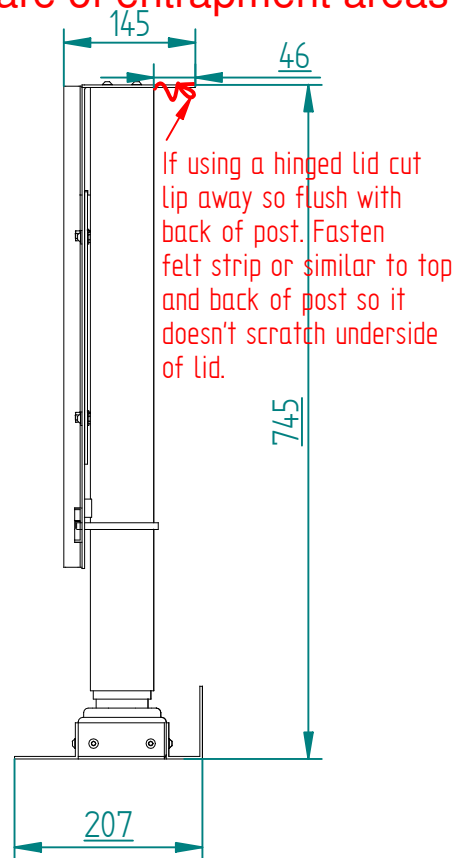
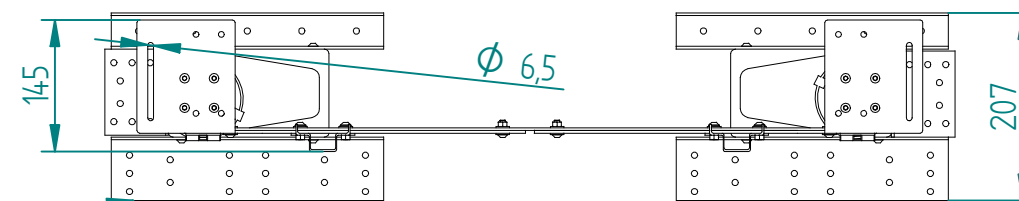


**Warning:** Moving parts, beware of entrapment areas

Closed Height: 745mm  
Open Height: 1710mm



Adjustable TV brackets in width to suit TV



Secure all base plate holes into furniture

© Copyright all rights reserved.  
This drawing is the property of Ergomotion Pty Ltd. It may not be copied in whole or part nor can it be used for the manufacture of any equipment described without written permission of Ergomotion. Ergomotion reserves the right to change, without notice, the specifications and materials contained in this drawing and shall not be responsible for any damages (including consequential) caused by reliance on the information presented.

Date	Revision	Description	Drawn By
Nov 09	Rev 01	Holes in to mounting plates to assist with cable connections	GT
Unless otherwise specified dimensions are in millimeters		Finish: Black (RAL9005) or Grey (RAL9006) Powdercoat	Material: 3mm Thick Mild Steel
Customer:		Sheet 1 of 1	
Designed by Guy Topolansky		<b>ergomotion</b> PO Box 234, East Bentleigh, VIC, 3165 +61 3 95791454 <b>TITLE: Technical layout of motiontv-DL1160 (Rev 01)</b> <b>Drawing number:</b>	