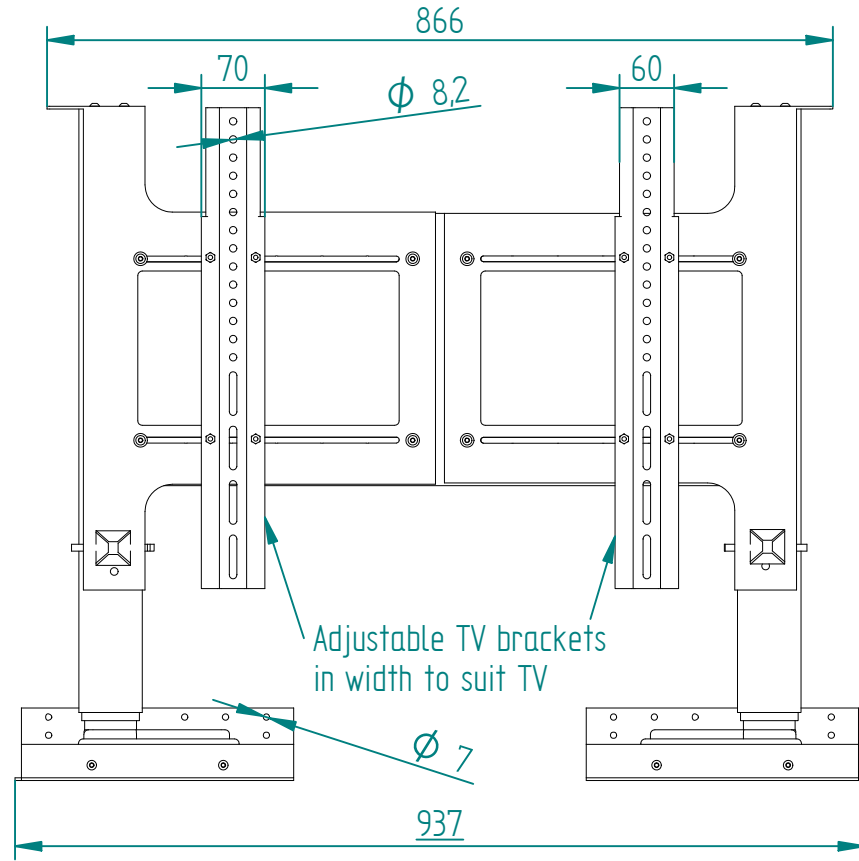
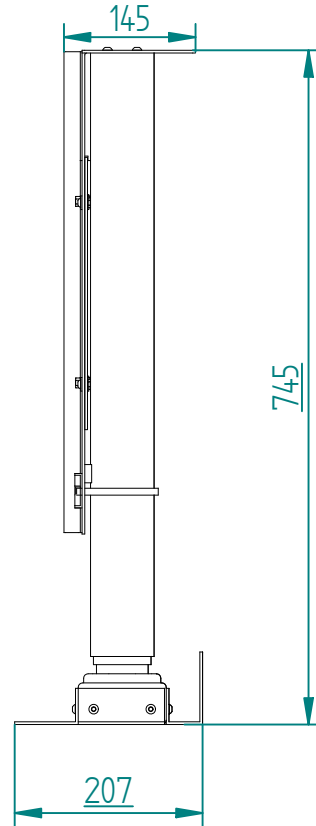
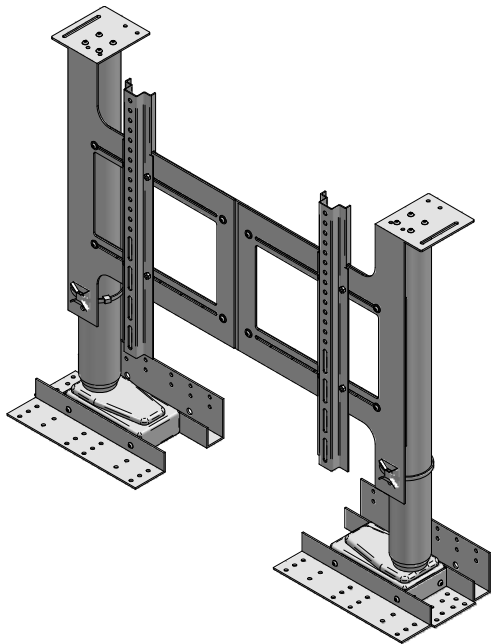
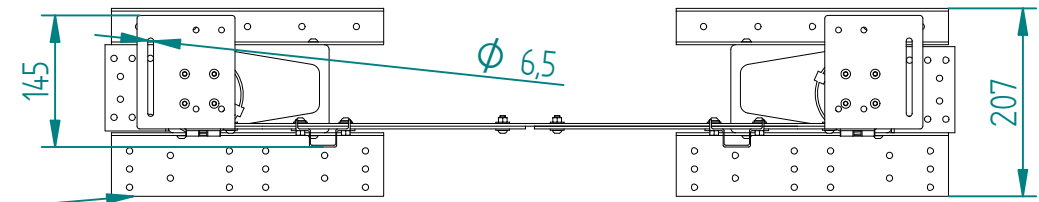


Warning: Moving parts, beware of entrapment areas

Closed Height: 745mm
Open Height: 1710mm



Adjustable TV brackets
in width to suit TV



Secure all base plate holes into furniture

© Copyright all rights reserved.
This drawing is the property of Ergomotion Pty Ltd. It may not be copied in whole or part nor can it be used for the manufacture of any equipment described without written permission of Ergomotion. Ergomotion reserves the right to change, without notice, the specifications and materials contained in this drawing and shall not be responsible for any damages (including consequential) caused by reliance on the information presented.

Nov 09	Rev 01	Holes in to mounting plates to assist with cable connections	GT
Date	Revision	Description	Drawn By
Unless otherwise specified dimensions are in millimeters	Finish: Black (RAL9005) or Grey (RAL9006) Powdercoat	Material: 3mm Thick Mild Steel	Sheet 1 of 1
Customer:	ergomotion PO Box 234, East Bentleigh, VIC, 3165 +61 3 95791454 TITLE: Technical layout of motiontv-DL1160 (Rev 01)		
Designed by Guy Topolansky	Drawing number:		