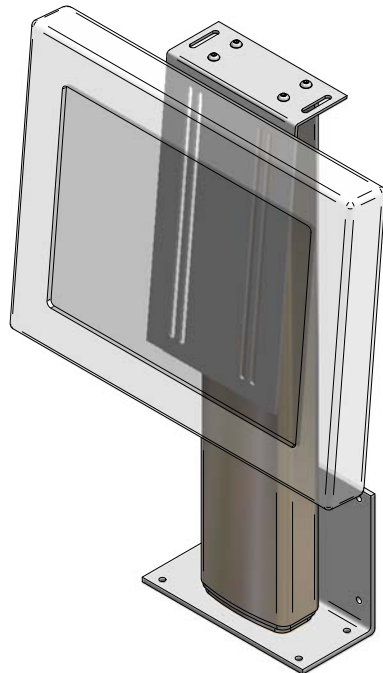
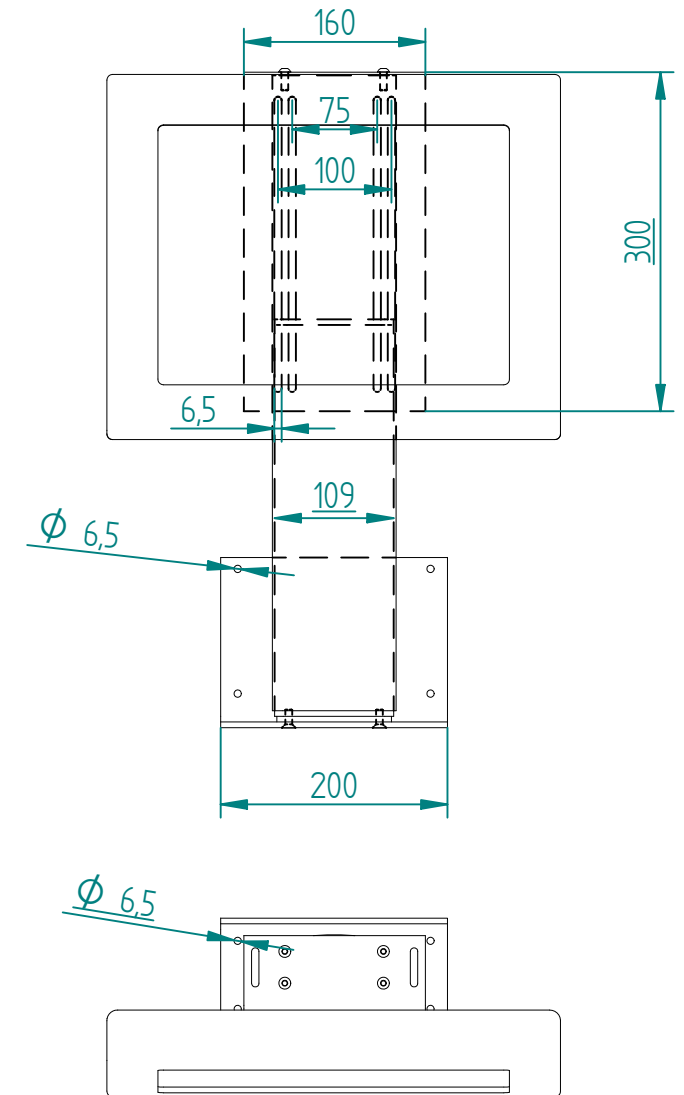
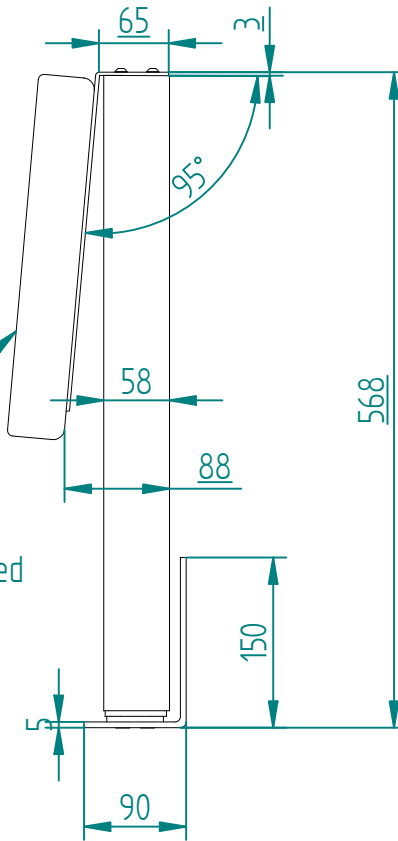


WARNING: Moving parts, beware of entrapment areas

Maximum travel is 675mm
 Can be re-programmed to suit monitor height (prior to despatch)
 Maximum weight is 45kg
 2 year warranty on electrics
 10 year warranty on frame

Monitor not supplied



© Copyright all rights reserved.
 This drawing is the property of Ergomotion Pty Ltd. It may not be copied in whole or part nor can it be used for the manufacture of any equipment described without written permission of Ergomotion.

Date	Revision	Description	Drawn By
Unless otherwise specified dimensions are in millimeters	Finish: Black (RAL9005) or Grey (RAL9006) Powdercoat	Material: 3&5mm Thick Mild Steel	Sheet 1 of 1
Customer:	ergomotion PO Box 234, East Bentleigh, VIC, 3165 +61 3 95791454 TITLE: Layout of motionpc		
Designed by Guy Topolansky	Drawing number: Ergo		