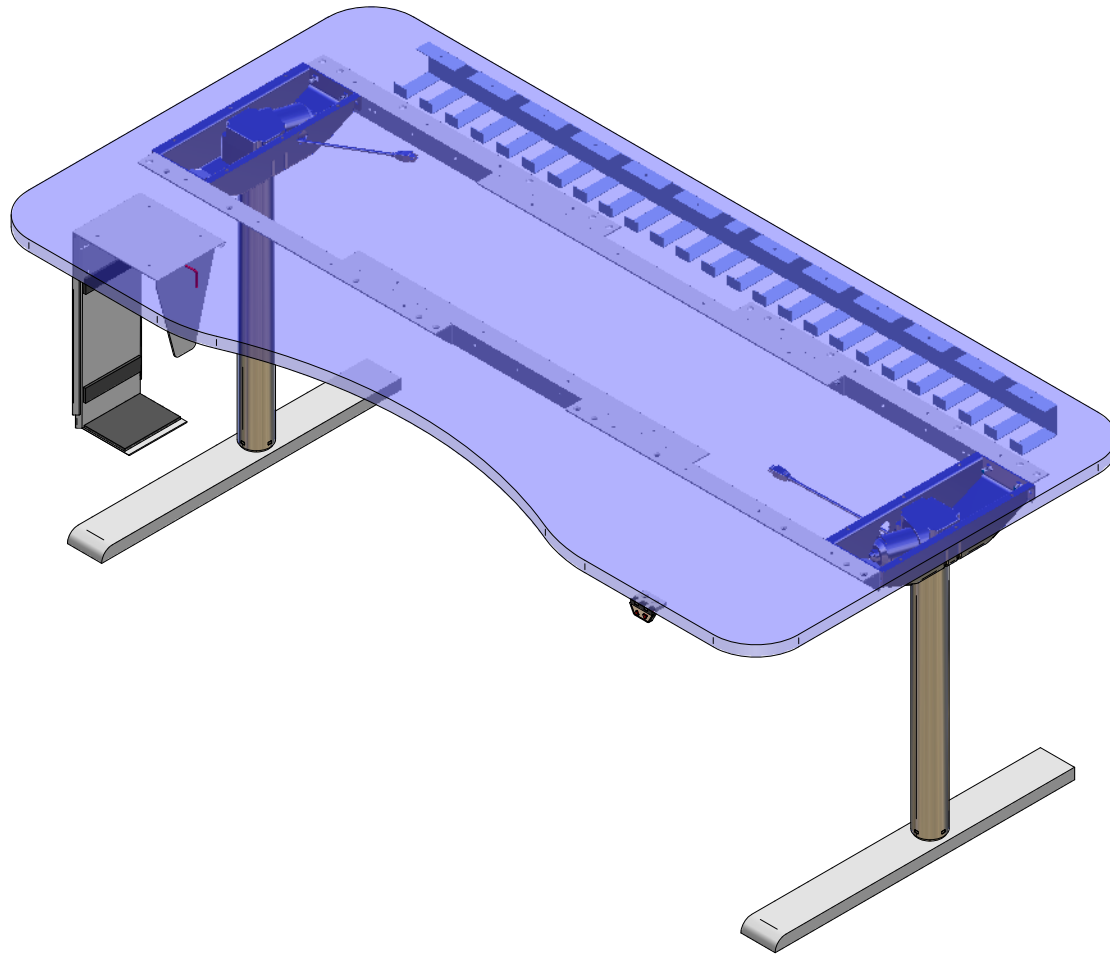


WARNING: Moving parts, beware of entrapment areas



motiondesk2-DL7

- 470mm electric adjustment
- 690mm to 1160mm (from floor level)
- 100kg total lift capacity
- 18 seconds from sit to stand
- Optional multiple Memory positions
- Optional cable tray
- Optional CPU Holder
- Standard frame suits desk 1.5m-1.8m in length
- 2 year warranty on electrics
- 10 year warranty on frame

© Copyright all rights reserved.
 This drawing is the property of Ergomotion Pty Ltd. It may not be copied in whole or part nor can it be used for the manufacture of any equipment described without written permission of Ergomotion. Ergomotion reserves the right to change, without notice, the specifications and materials contained in this drawing and shall not be responsible for any damages (including consequential) caused by reliance on the information presented.

Date	Revision	Description	Drawn By
Unless otherwise specified dimensions are in millimeters	Finish: Black (RAL9005) or Grey (RAL9006) Powdercoat	Material: 3mm Thick Mild Steel	Sheet 1 of 1
Customer:	ergomotion PO Box 234, East Bentleigh, VIC, 3165 +61 3 95791454 TITLE: motiondesk2-DL7		
Designed by Guy Topolansky	Drawing number: Ergo		