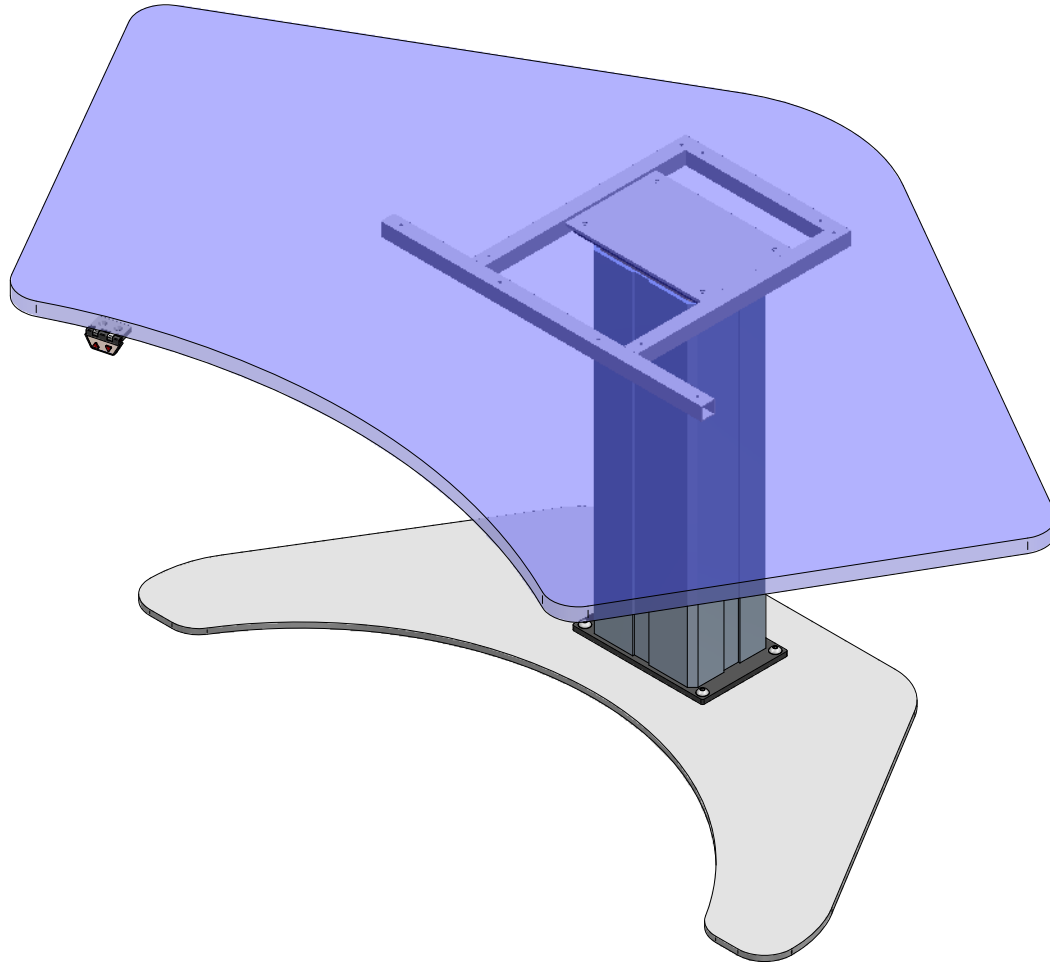


WARNING: Moving parts, beware of entrapment areas

motiondesk1-DL2

500mm electric adjustment
 685mm to 1185mm (from floor level)
 100kg total lift capacity
 15 seconds from sit to stand
 Optional multiple memory positions
 Optional cable tray
 Optional CPU holder
 Standard frame suits 90° and 120° desktops
 2 year warranty on electrics
 10 year warranty on frame



© Copyright all rights reserved.

This drawing is the property of Ergomotion Pty Ltd. It may not be copied in whole or part nor can it be used for the manufacture of any equipment described without written permission of Ergomotion. Ergomotion reserves the right to change, without notice, the specifications and materials contained in this drawing and shall not be responsible for any damages (including consequential) caused by reliance on the information presented.

Date	Revision	Description	Drawn By
Unless otherwise specified dimensions are in millimeters	Finish:	Material:	Sheet 1 of 1
Customer:	ergomotion PO Box 234, East Bentleigh, VIC, 3165 +61 3 95791454		
Designed by Guy Topolansky	TITLE: motiondesk1-DL2 Drawing number: Ergo		