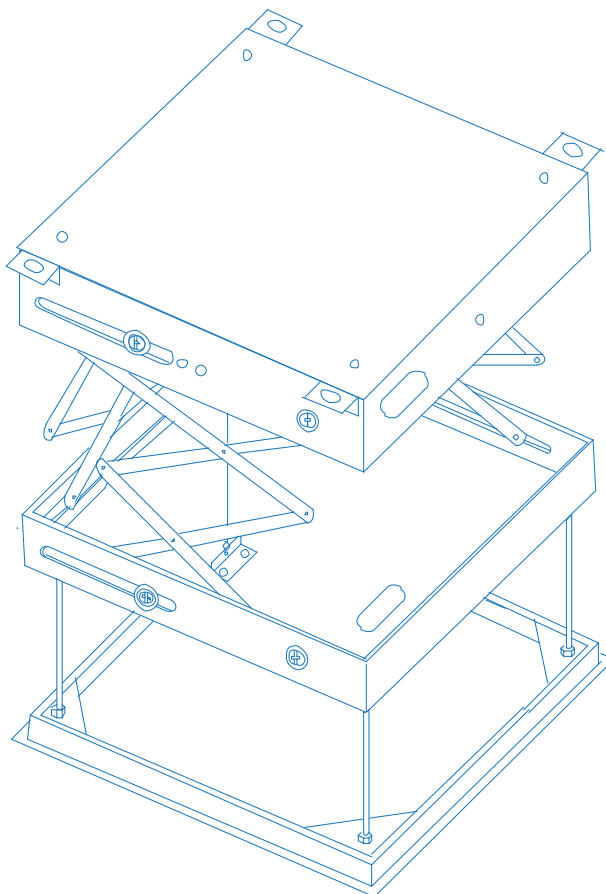


## motionlift™-Motorized Projector Lift

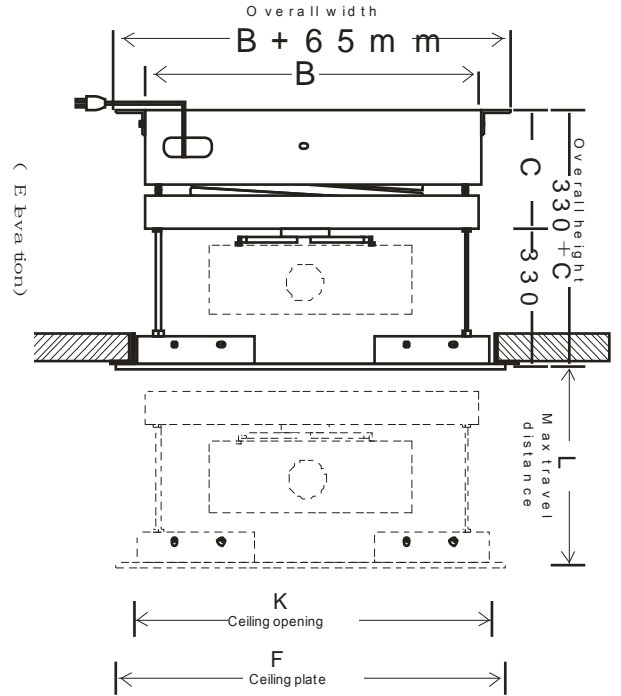
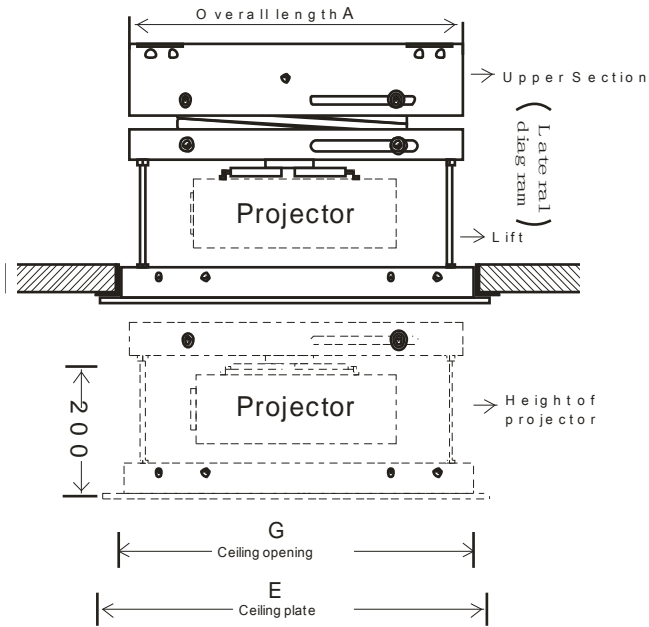
# Installation/Operating Guidelines



### Dimension&Data

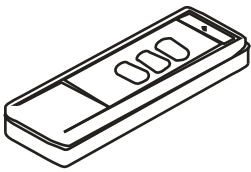
Model	Lift Dimension AxBxC (mm)	Loading Capability (kg)	Tr (mm)	Approx. Travel time (Sec)	Ceiling plate EXF (mm)	Ceiling opening GXK (mm)	Voltage, frequency and currency	Height of lift in closed position
T80A	450x450x145	15	800	53mm	600X600	550X550	AC220-230V 50HZ 115W	145
T80B	508x508x145	15	800	53mm	600X600	550X550	AC220-230V 50HZ 115W	145
T100A	450x450x145	15	1000	53mm	600X600	550X550	AC220-230V 50HZ 115W	145
T100B	508x508x145	15	1000	53mm	600X600	550X550	AC220-230V 50HZ 115W	145
T120	508x508x165	25	1200	53mm	600X600	550X550	AC220-230V 50HZ 115W	165
T150	508x508x190	30	1500	53mm	600X600	550X550	AC220-230V 50HZ 115W	190
S180A	508x508x210	30	1800	53mm	600X600	550X550	AC220-230V 50HZ 115W	210
S180B	700x508x210	50	1800	48mm	870X600	820X550	AC220-230V 50HZ 200W	210
S240	700x508x240	50	2400	48mm	870X600	820X550	AC220-230V 50HZ 200W	240
S300	700x508x280	50	3000	48mm	870X600	820X550	AC220-230V 50HZ 200W	280
S360	700x508x320	50	3600	48mm	870X600	820X550	AC220-230V 50HZ 200W	320

Dimensions in :mm

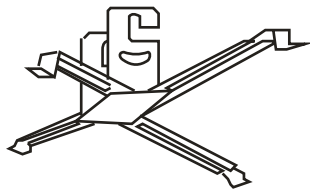


Accessories (optional)

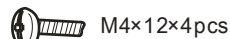
Remote control Transmitter



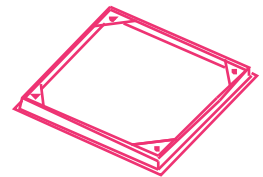
Projector universal basket



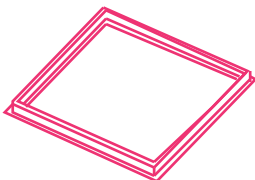
Screws:



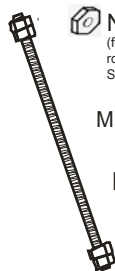
Ceiling decorated plate



Ceiling plate frame



Screw rod

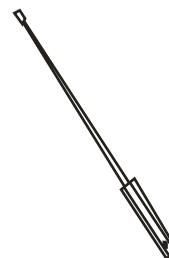


NOTE: M8x3 hex nut x 2 pcs  
 (for T80A and T100A models only-to fit rod in to underside of lift enclosure (front end))  
 See Figure 3 on page 4

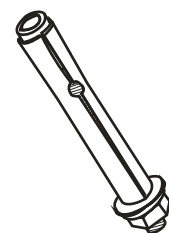
M8×280×4 pcs

M8 hex nut x 8 pcs

Limit switch hexangular key



Pulling screw

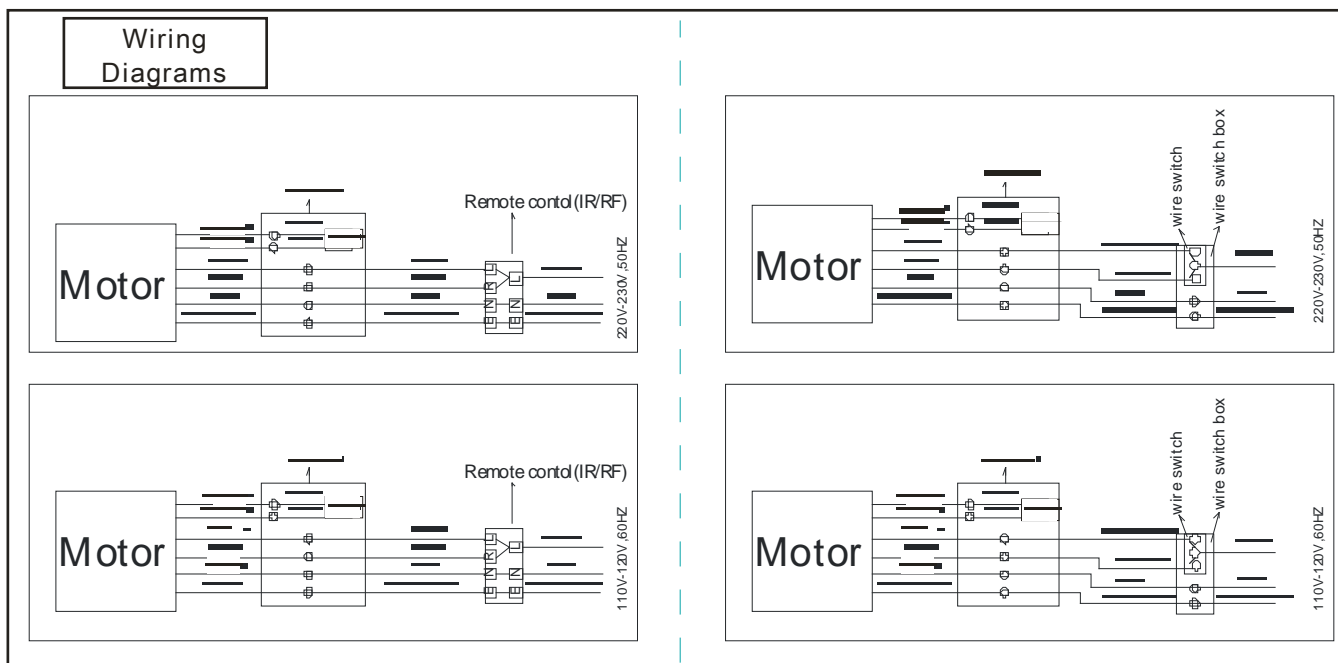


**Caution:**  
**Read instructions completely before proceeding.**

**THE LIFT CANNOT BE EXTENDED MANUALLY IF THERE IS NO POWER TO THE MOTOR OR IF THERE IS A FAILURE. MAKE SURE THERE IS ACCESS TO THE LIFT FROM WITHIN THE CEILING SO IT CAN BE REMOVED AND RETURNED IF NECESSARY.**

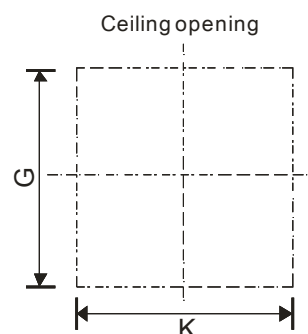
- Make sure that currency is up to the standard of motorized projector lift.
- Make sure the space is enough for installing, minimal height including motorized projector lift, height of projector, thickness of ceiling, etc.
- Make sure all parts are supplied.
- Fasteners, supports or ceiling must be of adequate strength to securely support Motorized Projector Lift and projector.
- Installation and electrical connection must be carried out by a qualified technician, if installation is not carried out correctly, there is the danger that fire and electric shock may occur.
- Do not place motorized projector lift near any hot, inflammable and explosive objects. Fire, electric shocks, or short circuits may result from damage of cable.

**ONLY CONNECT TO MAINS POWER ONCE ALL ELECTRICAL CONNECTIONS HAVE BEEN MADE**



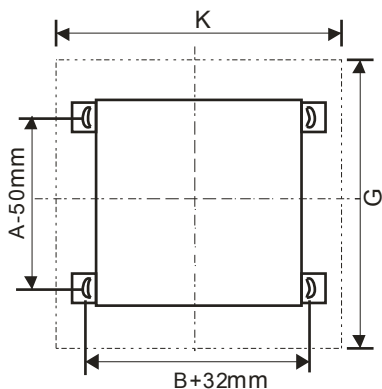
**Preparation for installation**

- Open carton and inspect for damage and all parts are enclosed.
- Confirm that there is adequate space for installation and operation.
- Ensure that all fasteners and supports and ceiling are of adequate strength to securely support Motorized Projector Lift and projector.
- Minimum clearance above ceiling level varies according to Motorized Projector Lift plus height of projector, optional projector mounting bracket, optional ceiling ceiling plate.
- Make sure the batteries are working in the Receiver.
- Installation must be carried out by at least 2 qualified technicians.

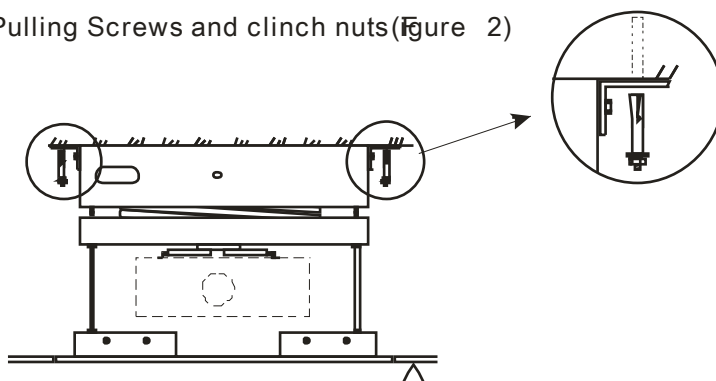


### Installation of Motorized Projector Lift

- Refer to the following diagram(Figure 1)
- Anchor the four holes with 4 unit of M8 Pulling Screws and clinch nuts(Figure 2)



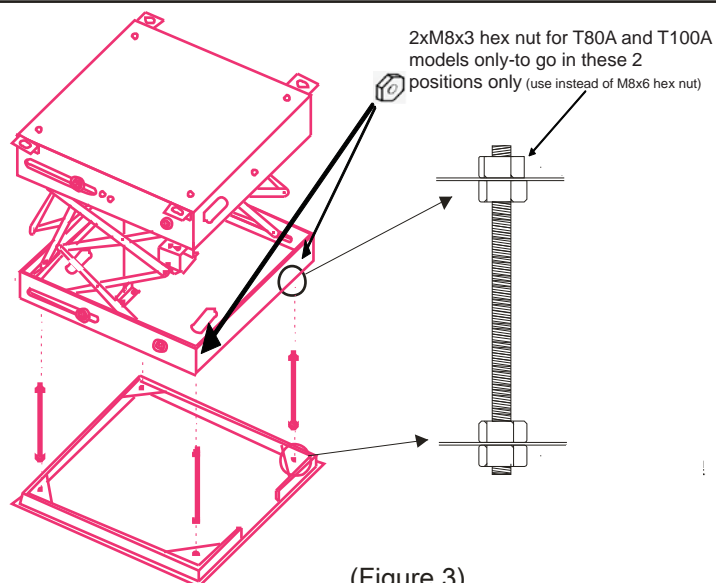
(Figure1)



(Figure 2)

### Installation of ceiling decorated plate

- Connect the plug to power
- Lower motorized projector lift by remote transmitter.
- Thread 4 units of screw rod to the holes in lift mount and ceiling plate.
- The height and clearance of ceiling plate can be adjusted by nuts.
- Choose proper screws for ceiling plate, securely anchor the frame of ceiling plate to ceiling opening(Figure 3)



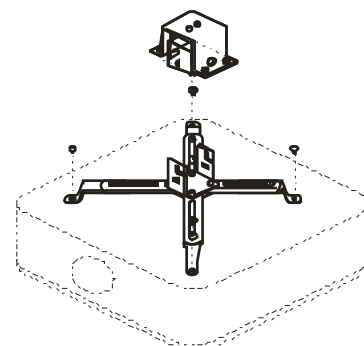
(Figure 3)

### Installing projector.

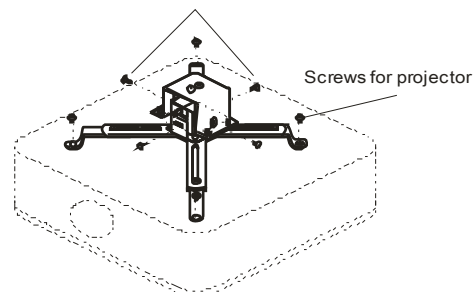
- Install projector in universal bracket with proper screws according to the size of projector and tighten them.
- Install the universal bracket to the middle bottom of the lift and tighten the screws.
- Lace the cables and link it "Z" and attach to the plastic ring of scissors.
- Connect the plugs of Motorized Projector Lift and projector in the socket.

### Angle adjustment of projector.

- Change the height of projector through adjusting the pole of the universal bracket according to the screw hole



Universal bracket fixing

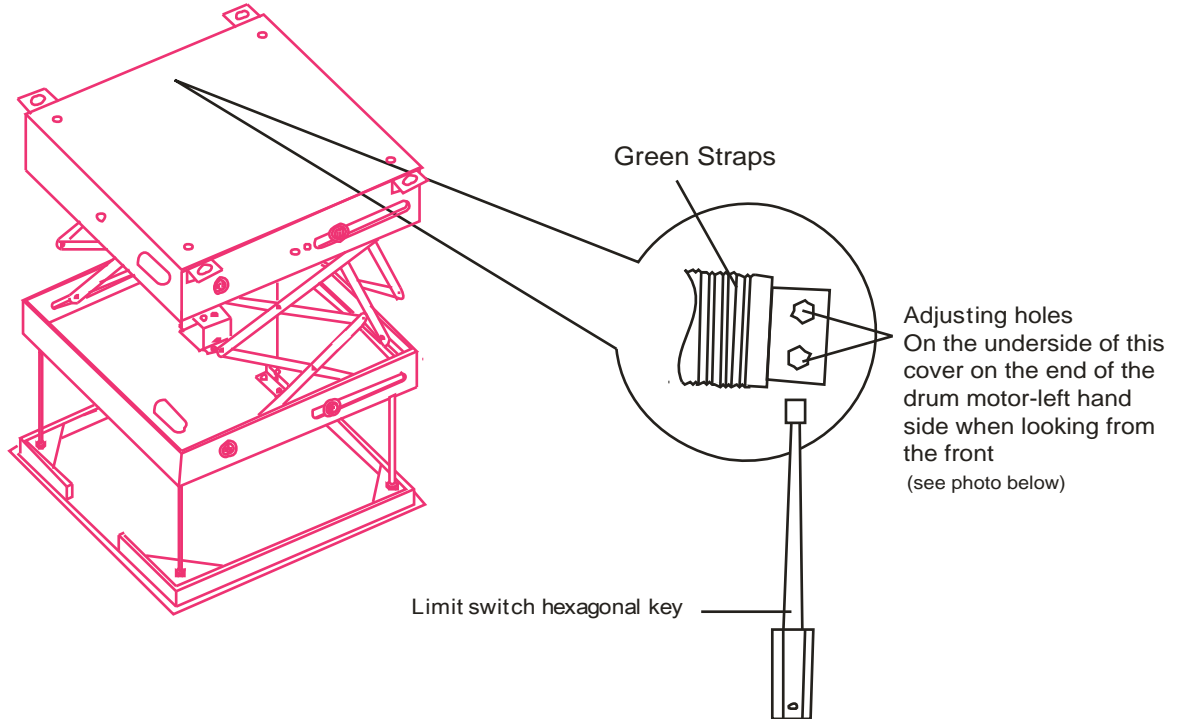


Screws for projector

**WARNING:- Adjust upper and lower limits to suit the installation dimensions. Make sure motor shuts down on both of these limit switches. If the motor does not shut down on these limit switches there is a risk of damage to the motor and lift mechanism, which will void your warranty**

Travel distance adjustment (holes are on left of the motor when looking from the front)

- Insert Travel Adjustable Hexangular key into the adjusting hole of motor
- The right hole (front/closest hole when looking from the front) is for adjusting LOWER limit.  
Anticlockwise movement is for increasing lower limit, clockwise movement is for reducing lower limit.
- The left hole (back/furthest hole when look from the front) is for adjusting UPPER limit.  
Anticlockwise movement is for increasing upper limit, clockwise movement is for reducing upper limit.



motionlift full assembly



Adjusting limit holes (yellow screws in black casing) on left of motor when looking at the underside of the lift from the front

## Photos to help with installation of lift

Up/Down panel with built in IR eye



IR eye for ceiling plate



Additional microswitch to lower lift if remote control does not work  
(Insert pin into hole of ceiling plate to activate switch and lower the lift)



Assembly of the additional IR eye and microswitch in to the ceiling plate

